

INSTALLATION AND CONFIGURATION MANUAL ABRAMS BOLDSTAR SERIES LED BEACON

MODEL# BS-300



WARNING

Failure to install or use this product according to manufacturer's recommendations may result in property damage, serious bodily/personal injury, and/or death to you and those you are seeking to protect, and/or death to you and those you are seeking to protect!

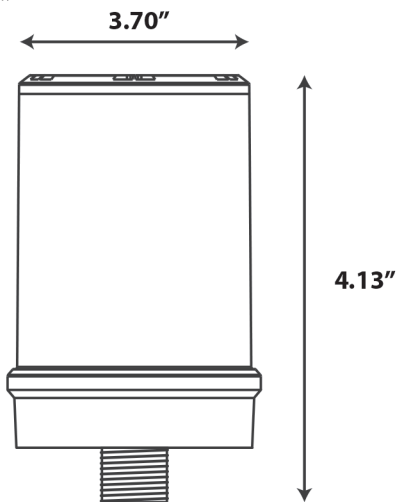


Do not install and/or operate this safety product unless you have read and understand the safety information contained in this manual.

1. Proper installation combined with operator training in the use, care, and maintenance of emergency warning devices are essential to ensure the safety of you and those you are trying to protect.
2. Exercise caution when working with live electrical connections.
3. This product must be properly grounded. Inadequate grounding and/or shorting of electrical connections can cause high current arcing, which can cause personal injury and/or severe vehicle damage, including fire.
4. Proper placement and installation are vital to the performance of this warning device. Install this product so that output performance of the system is maximized and the controls are placed within convenient reach of the operator so that/he can operate the system without losing eye contact with the roadway.
5. It is the responsibility of the vehicle operator to ensure during use that all features of this product work correctly. In use, the vehicle operator should ensure the projection of the warning signal is not blocked by vehicle components (i.e., open trunks or compartment doors), people, vehicles, or other obstructions.

DIMENSIONS:

MODEL: BS-300
 W: 3.70" H: 4.13"

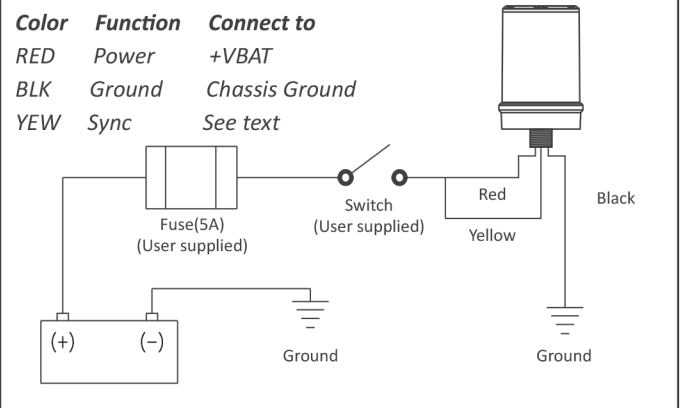


Syncing Multiple Beacons

To sync multiple beacons, configure beacons to display the same phase pattern. With the power off, connect the Yellow wires from each one together. When they are activated, their patterns will be synchronized. To configure their patterns, connect one of the Yellow wire to Red wire/+VBAT. (Not available on cigar plug models)

Flash Pattern Selection:

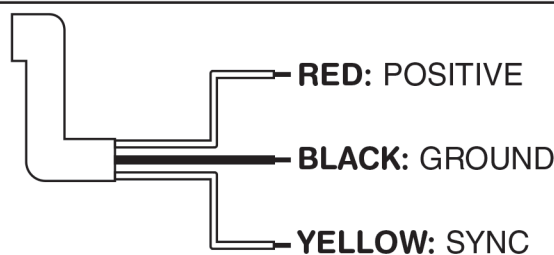
Flash patterns can be selected by touching the Yellow wire to the Red power wire for less than a second.



- BS-300 SERIES
 PACKAGE CONTENTS:**
- BOLDSTAR BEACON
 - COLORED LENS
 - PRODUCT MANUAL

MODEL	BS-300
INPUT VOLTAGE	10-30VDC
WORK CURRENT	12V - 0.91A (MAX) 24V - 0.45A (MAX)
WATERPROOF	IP67

HARDWIRING TO YOUR VEHICLE: FOLLOW WIRING DIAGRAM AS SHOWN



Recommend Operation Environment

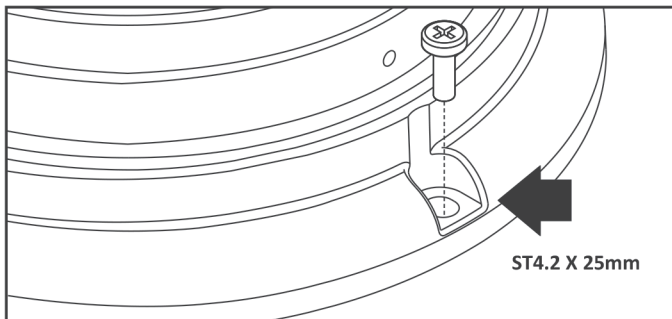
Ambient Temperature: -30 to 50
 Relative Humidity: 10 to 85% , non-condensing

INSTALLATION AND CONFIGURATION MANUAL ABRAMS BOLDSTAR SERIES LED BEACON

Permanent Mount:

CAUTION! Permanent mounting of this product will require drilling. It is absolutely necessary to make sure that no other vehicle components could be damaged by this process. Check both sides of the mounting surface before starting. If damage is likely, select a different mounting location.

- 1) Use the base as a template and mark the three or two mounting holes off onto the mounting surface. Remove base. In the center between the mounting holes, mark the location of the wire access hole.
- 2) Drill mounting holes about 3.5mm into the mounting surface with a drill bit. Drill the wire access hole using a drill bit. Remove any burrs from the wire access hole.
- 3) The base seal goes between the beacon base and the mounting surface.
- 4) Feed the wires first through the base seal and then through the cable access hole. Place the base(with seal) on the mounting surface and align the beacon mounting holes with the mounting holes drilled in step 2. Secure the beacon firmly to the mounting surface using the supplied mounting screws.



Magnetic and suction Mount:

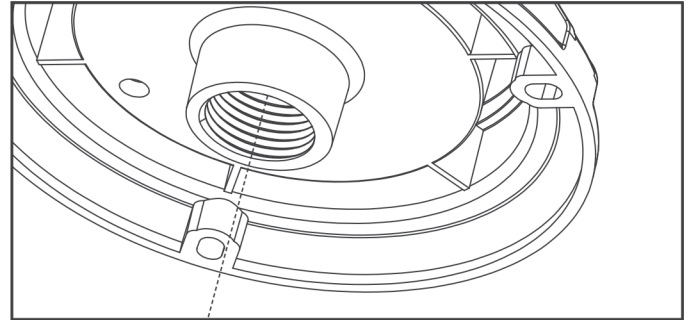
Wipe the suction cup clean and place the beacon onto a flat, metal surface and apply gentle pressure to ensure a good seal has been achieved. Plug it into the vehicle cigar lighter.

Pipe Mount:

One INCH (NPT) PIPE MOUNT:

Threading for a 1 inch (NPT) pipe mounting is precast in the base.

- 1) Feed power cable through the 1 inch pipe and connect the cable to the wires of the beacon.
- 2) Screw the beacon into the threads on the 1" pipe, taking precaution not to damage the connected power wires. Do not tighten base too hard as not to damage threads on base.



Flash Patterns

Sequence	Description	FPM	
		SM7102-130	SM7102-94
1	Single	150	150
2	Actionflash1	125	187
3	Actionflash2	125	187
4	Actionflash3	62	93
5	Actionflash4	62	93
6	Double	75	75
7	Quad	62	62
8	Mega	50	50
9	Combination 1		
10	Combination 2		

Maintenance:

This LED beacon has been designed for trouble free operation. There are no periodic maintenance needs for this model.

Troubleshooting:

Most beacon failures, including intermittent or erratic operation as well as failure of operation can be traced to wiring or battery problems. Check all wiring, connections, fuse, switch, and battery voltage to insure that the correct voltage is reaching the beacon.

WARRANTY (5 YEAR WARRANTY)

THIS PRODUCT WAS TESTED AND FOUND TO BE OPERATIONAL AT THE TIME OF MANUFACTURE. PROVIDED THIS PRODUCT IS INSTALLED AND OPERATED IN ACCORDANCE WITH THE MANUFACTURER'S RECOMMENDATIONS, ABRAMS GUARANTEES THIS PRODUCT FOR A PERIOD OF 5 YEARS FROM THE DAY OF PURCHASE OR DELIVERY, WHICH EVER IS LATER. UNITS DEMONSTRATED TO BE DEFECTIVE WITHIN THE WARRANTY PERIOD WILL BE REPLACED. IMPROPER INSTALLATION OR USE OF INAPPROPRIATE OR INADEQUATE WIRING OR CIRCUIT PROTECTION CAUSES THE WARRANTY TO BE VOID. FAILURE OR DESTRUCTION OF THE PRODUCT RESULTING FROM ABUSE OR UNUSUAL USE AND/OR ACCIDENTS IS NOT COVERED BY THIS WARRANTY. ABRAMS SHALL IN NO WAY BE LIABLE FOR OTHER DAMAGES INCLUDING CONSEQUENTIAL, INDIRECT OR SPECIAL DAMAGES WHETHER LOSS IS DUE TO NEGLIGENCE OR BREACH OF WARRANTY. ABRAMS MAKES NO OTHER EXPRESS OR IMPLIED WARRANTY INCLUDING, WITHOUT LIMITATION, WARRANTIES OF FITNESS OR MERCHANTABILITY, WITH RESPECT THIS PRODUCT.

