

INSTALLATION AND CONFIGURATION MANUAL ABRAMS BLASTER SERIES HIDEAWAY LIGHT

MODEL# BH-120 / BH-360

WARNING:

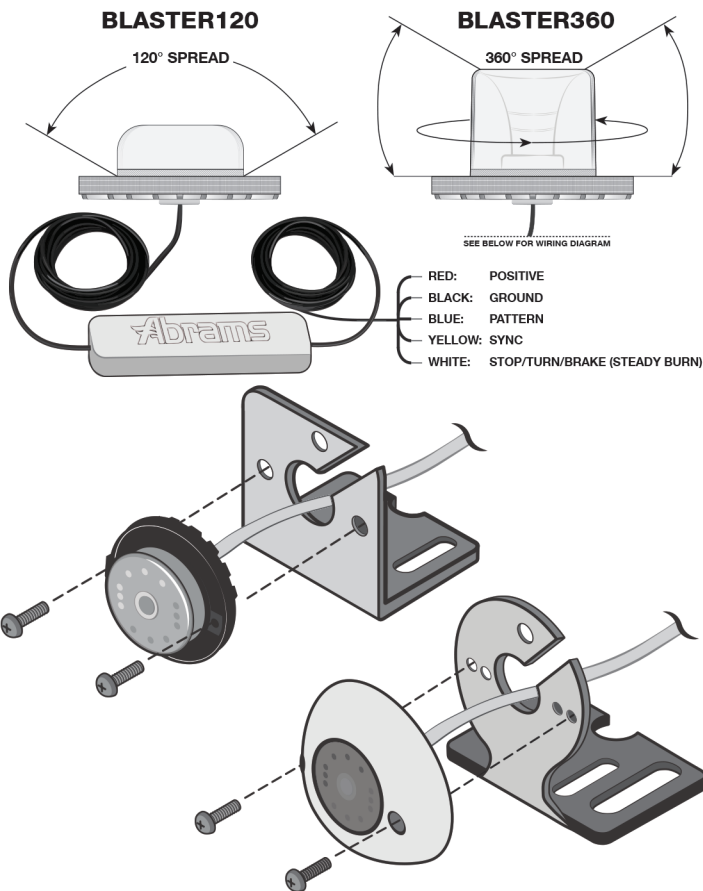
FAILURE TO INSTALL OR USE THIS PRODUCT ACCORDING TO MANUFACTURER'S RECOMMENDATIONS MAY RESULT IN PROPERTY DAMAGE, SERIOUS INJURY, AND/OR DEATH.

IMPORTANT:

PLEASE READ ALL OF THE FOLLOWING INSTRUCTIONS BEFORE INSTALLING YOUR NEW ABRAMS BLASTER SERIES HIDEAWAY.

- PROPER INSTALLATION OF THIS PRODUCT REQUIRES THE INSTALLER TO HAVE A GOOD UNDERSTANDING OF AUTOMOTIVE ELECTRONICS, SYSTEMS AND PROCEDURES.
- THIS PRODUCT CONTAINS HIGH-INTENSITY LEDS. DO NOT STARE DIRECTLY INTO THESE LIGHTS. MOMENTARY BLINDNESS AND/OR EYE DAMAGE COULD RESULT.
- DO NOT INSTALL THIS PRODUCT OR ROUTE ANY WIRES IN THE DEPLOYMENT AREA OF YOUR AIR BAG. EQUIPMENT MOUNTED OR LOCATED IN THE AIR BAG DEPLOYMENT AREA WILL DAMAGE OR REDUCE THE EFFECTIVENESS OF THE AIR BAG, OR BECOME A PROJECTILE THAT COULD CAUSE SERIOUS PERSONAL INJURY OR DEATH. REFER TO YOUR VEHICLE OWNER MANUAL FOR THE AIR BAG DEPLOYMENT AREA. THE USER/INSTALLER ASSUMES FULL RESPONSIBILITY TO DETERMINE PROPER MOUNTING LOCATION, BASED ON PROVIDING ULTIMATE SAFETY TO ALL PASSENGERS INSIDE THE VEHICLE.
- IF MOUNTING THIS PRODUCT REQUIRES DRILLING HOLES, THE INSTALLER MUST BE SURE THAT NO VEHICLE COMPONENTS OR OTHER VITAL PARTS COULD BE DAMAGED BY THE DRILLING PROCESS. CHECK BOTH SIDES OF THE MOUNTING SURFACE BEFORE DRILLING BEGINS. ALSO DE-BURR ANY HOLES AND REMOVE ANY METAL SHARDS OR REMNANTS. INSTALL GROMMETS INTO ALL WIRE PASSAGE HOLES.

- INSPECT AND OPERATE THIS PRODUCT REGULARLY TO CONFIRM ITS PROPER OPERATION AND MOUNTING CONDITION. DO NOT USE A PRESSURE WASHER TO CLEAN THIS PRODUCT.
- FOR THIS PRODUCT TO OPERATE AT OPTIMUM EFFICIENCY, A GOOD ELECTRICAL CONNECTION TO CHASSIS GROUND MUST BE MADE. THE RECOMMENDED PROCEDURE REQUIRES THE PRODUCT GROUND WIRE TO BE CONNECTED DIRECTLY TO THE NEGATIVE (-) BATTERY POST.
- IT IS RECOMMENDED THAT THESE INSTRUCTIONS BE STORED IN A SAFE PLACE AND REFERRED TO WHEN PERFORMING MAINTENANCE AND/OR REINSTALLATION OF THIS PRODUCT.
- FAILURE TO FOLLOW THESE SAFETY PRECAUTIONS AND INSTRUCTIONS COULD RESULT IN DAMAGE TO THE PRODUCT OR VEHICLE AND/OR SERIOUS INJURY TO YOU AND YOUR PASSENGERS!
- IF THIS PRODUCT USES A REMOTE DEVICE TO ACTIVATE OR CONTROL THIS PRODUCT, MAKE SURE THAT THIS CONTROL IS LOCATED IN AN AREA THAT ALLOWS BOTH THE VEHICLE AND THE CONTROL TO BE OPERATED SAFELY IN ANY DRIVING CONDITION.
- DO NOT ATTEMPT TO ACTIVATE OR CONTROL THIS DEVICE IN A HAZARDOUS DRIVING SITUATION



OPERATION FOR SINGLE AND DUAL COLOR LIGHTHEAD FUNCTION

BLACK	NEGATIVE/GROUND
BLUE	PATTERN SWITCH
YELLOW	SYNCHRONIZED FUNCTION
RED	POSITIVE (NEED TO ADD 2A FUSE)
WHITE	STOP/TURN/BRAKE (STEADY BURN OPTION)

1. Changing Patterns: Patterns can be changed by momentarily connecting the blue wire to the ground of your vehicle's battery.

Less than 1 Second	Next Pattern
1-3 Seconds	Previous Pattern
3-5 Seconds	Factory Default
5+ Seconds	Turn off and Reset

2. Syncing Instructions: Configure both intensity light heads to the same pattern in Phase 1 and connect the yellow wires from each light head together.

3. Alternating Light Heads: Set every other light to the same pattern in Phase 2 and connect the blue wires. To better understand how this feature works, each lighthouse coming from the factory will display Phase 1. In order to have one Intensity light head alternate with another, every other light needs to be advanced to the current pattern's Phase 2.

***To activate steady burn feature apply power (+12VDC) to the white wire.**

PACKAGE CONTENTS:

- BLASTER HIDEAWAY
- BLACK FLANGE
- GASKET
- SCREWS
- PRODUCT MANUAL

ABRAMS BLASTER HIDEAWAY SPECIFICATIONS

INPUT VOLTAGE	10-30VDC
WORK CURRENT	12V - 2.5A (MAX) 24V - 1.3A (MAX)
WATERPROOF	IP67

Recommend Operation Environment

Ambient Temperature: -30 to 50

Relative Humidity: 10 to 85% , non-condensing

INSTALLATION AND CONFIGURATION MANUAL ABRAMS BLASTER SERIES HIDEAWAY LIGHT

MOUNTING

SURFACE MOUNTING (SEE FIGURE 1.)

1. Position the light unit with the flange attached on the mounting surface and mark the position of the two screws and a center wire passage hole.
2. Drill two holes for the screws and 0.5" center wire passage hole.
3. Place the light unit on the mounting surface and secure it with the included hardware.

HEADLIGHT OR TAIL LIGHT MOUNTING (SEE FIGURE 2.)

1. Refer to your vehicle's manual for instructions on how to remove the headlight or taillight assembly.
2. Select the mounting location and choose a surface in the bottom or rear of the light assembly as close to the focal point as possible. Be sure that it doesn't interfere with the operation of the light.
3. Use a saw to cut a 1" hole in the chosen location. Insert the light unit into the hole and mark the location of the two screw sockets. Remove the light and drill the two holes.
4. Place the gasket on the light and insert it in the hole. Use metal screws to secure it to the light assembly.
5. Re-install the headlight or tail light assembly and route the wires to their appropriate control switches.

BLASTER FLASH PATTERNS

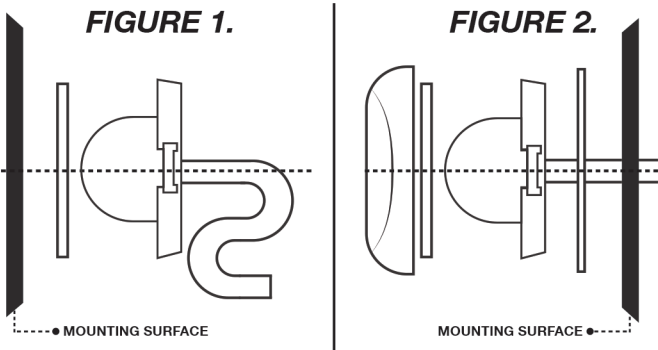
PATTERNS FOR SOLID COLORS:	
1: SINGLE 120 FPM PH1-COLOR 1 & 2	12: QUAD 75 FPM PH2-COLOR 1 & 2
2: SINGLE 120 FPM PH2-COLOR 1 & 2	13: QUAD 120 FPM PH1-COLOR 1 & 2
3: SINGLE 300 FPM PH1-COLOR 1 & 2	14: QUAD 120 FPM PH2-COLOR 1 & 2
4: SINGLE 300 FPM PH2-COLOR 1 & 2	15: QUINT 120 FPM PH1-COLOR 1 & 2
5: SINGLE 75 FPM PH1-COLOR 1 & 2	16: QUINT 120 FPM PH2-COLOR 1 & 2
6: SINGLE 75 FPM PH2-COLOR 1 & 2	17: 2 DOUBLE 75 FPM, 4 QUAD 120 FPM
7: DOUBLE 75 FPM PH1-COLOR 1 & 2	18: MODULE FLASH COLOR 1 ◀▶2
8: DOUBLE 75 FPM PH2-COLOR 1 & 2	19: AUTORUN
9: DOUBLE 120 FPM PH1-COLOR 1 & 2	20: STEADY BURN
10: DOUBLE 120 FPM PH2-COLOR 1 & 2	21: OFF
11: QUAD 75 FPM PH1-COLOR 1 & 2	

PATTERNS FOR SPLIT COLORS:	
1: SINGLE 120 FPM PH1-COLOR 1 & 2	20: QUAD 75 FPM PH1-COLOR 1 & 2
2: SINGLE 120 FPM PH2-COLOR 1 & 2	21: QUAD 75 FPM PH2-COLOR 1 & 2
3: SINGLE 120 FPM PH1-COLOR 1	22: QUAD 75 FPM PH1-COLOR 1
4: SINGLE 120 FPM PH2-COLOR 2	23: QUAD 75 FPM PH2-COLOR 2
5: SINGLE 120 FPM ALT. COLOR 1 ◀▶2	24: QUAD 75 FPM ALT. COLOR 1 ◀▶2
6: SINGLE 300 FPM PH1-COLOR 1 & 2	25: QUAD 120 FPM PH1-COLOR 1 & 2
7: SINGLE 300 FPM PH2-COLOR 1 & 2PP	26: QUAD 120 FPM PH2-COLOR 1 & 2
8: SINGLE 300 FPM PH1-COLOR 1	27: QUAD 120 FPM PH1-COLOR 1
9: SINGLE 300 FPM PH2-COLOR 2	28: QUAD 120 FPM PH2-COLOR 2
10: SINGLE 300 FPM ALT. COLOR 1 ◀▶2	29: QUAD 120 FPM ALT. COLOR 1 ◀▶2
11: SINGLE 75 FPM PH1-COLOR 1 & 2	30: QUINT 120 FPM PH1-COLOR 1 & 2
12: SINGLE 75 FPM PH2-COLOR 1 & 2	31: QUINT 120 FPM PH2-COLOR 1 & 2
13: SINGLE 75 FPM ALT. COLOR 1 ◀▶2	32: QUINT 120 FPM ALT. COLOR 1 ◀▶2
14: DOUBLE 75 FPM PH1-COLOR 1 & 2	33: 2 DOUBLE 75 FPM, 4 QUAD 120 FPM
15: DOUBLE 75 FPM PH2-COLOR 1 & 2	P34: MODULE FLASH COLOR 1 ◀▶2
16: DOUBLE 75 FPM ALT. COLOR 1 ◀▶2	P35: AUTORUN
17: DOUBLE 120 FPM PH1-COLOR 1 & 2	P36: STEADY BURN
18: DOUBLE 120 FPM PH2-COLOR 1 & 2	P37: OFF
19: DOUBLE 120 FPM ALT. COLOR 1 ◀▶2	

TROUBLESHOOTING:

The **BLASTER** series has been factory tested and approved, If the functions of the device fail, please check the following:

1. After connecting the power supply, be sure that the power source end is joined in the correct way. then, make sure that there is no short circuit power occurring.
2. Ensure Power switch is turned to ON position.
3. Press the Pattern Switch to be sure the "OFF" pattern is not selected. If the blue wire touches black wire over 5 seconds, it would switch to "OFF" pattern. It would be lighted up again when using blue wire touches black wire less than 1 second.



DIMENSIONS:

BLASTER 120
 - 0.99" H. 1" D

BLASTER 360
 - 1.5" H. 1" D

**IF YOU REQUIRE ADDITIONAL INFORMATION AND/OR VIDEO AND USER GUIDES, PLEASE VISIT WWW.ABRAMSMFG.COM/SUPPORT OR CALL ABRAMS CUSTOMER SUPPORT 844.9.ABRAMS

WARRANTY (5 YEAR WARRANTY)

THIS PRODUCT WAS TESTED AND FOUND TO BE OPERATIONAL AT THE TIME OF MANUFACTURE. PROVIDED THIS PRODUCT IS INSTALLED AND OPERATED IN ACCORDANCE WITH THE MANUFACTURER'S RECOMMENDATIONS, ABRAMS GUARANTEES THIS PRODUCT FOR A PERIOD OF 5 YEARS FROM THE DAY OF PURCHASE OR DELIVERY, WHICH EVER IS LATER. UNITS DEMONSTRATED TO BE DEFECTIVE WITHIN THE WARRANTY PERIOD WILL BE REPLACED. IMPROPER INSTALLATION OR USE OF INAPPROPRIATE OR INADEQUATE WIRING OR CIRCUIT PROTECTION CAUSES THE WARRANTY TO BE VOID. FAILURE OR DESTRUCTION OF THE PRODUCT RESULTING FROM ABUSE OR UNUSUAL USE AND/OR ACCIDENTS IS NOT COVERED BY THIS WARRANTY. ABRAMS SHALL IN NO WAY BE LIABLE FOR OTHER DAMAGES INCLUDING CONSEQUENTIAL, INDIRECT OR SPECIAL DAMAGES WHETHER LOSS IS DUE TO NEGLIGENCE OR BREACH OF WARRANTY. ABRAMS MAKES NO OTHER EXPRESS OR IMPLIED WARRANTY INCLUDING, WITHOUT LIMITATION, WARRANTIES OF FITNESS OR MERCHANTABILITY, WITH RESPECT THIS PRODUCT.

